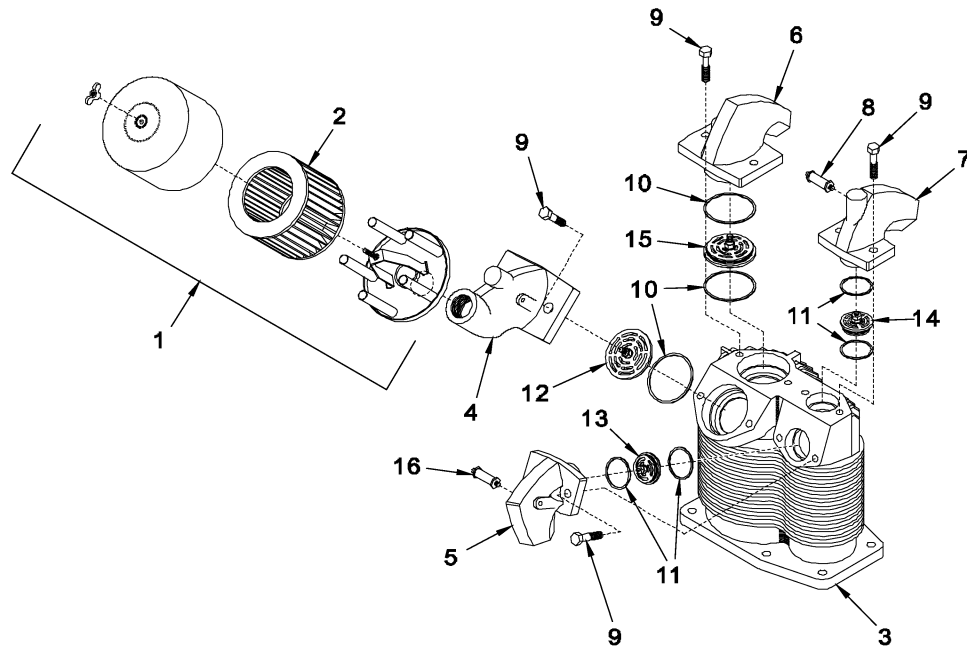


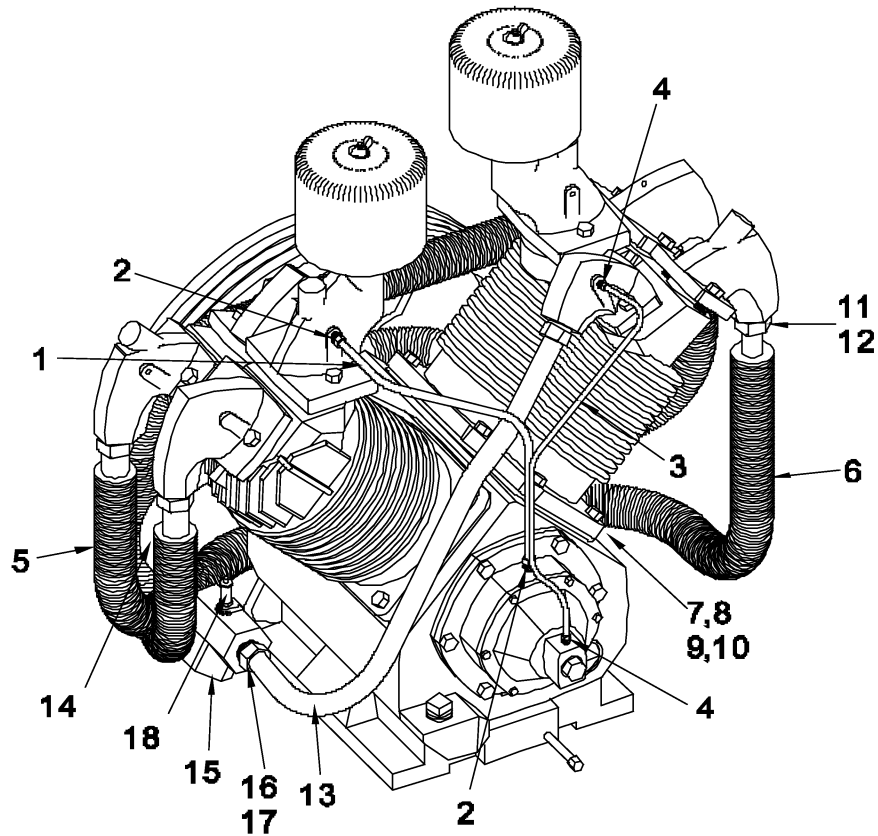
**R-70A
CYLINDER, MANIFOLDS, VALVES AND FILTER ASSEMBLIES**



ITEM NO.	PART NO.	DESCRIPTION	NO. REQ'D.
1	P07447A	Filter	2
2	P05051A	Element, Filter	2
3	P05863D	Cylinder	2
* 4	P09711D	Low Pressure Intake Manifold	2
5	M1508	High Pressure Exhaust Manifold	2
6	M1423	Low Pressure Exhaust Manifold	2
* 7	M1431	High Pressure Intake Manifold	2
8	P03592A	Interstage Pressure Relief Valve (75 PSIG)	2
9	P04779A	Cap Screw, Hex 7/16-14 x 2 in. long	16
10	P07352A	Low Pressure Valve Gasket	6
11	P07353A	High Pressure Valve Gasket	8
12	Z273	Low Pressure Intake Valve Assembly	2
13	Z785	High Pressure Exhaust Valve Assembly	2
14	Z784	High Pressure Intake Valve Assembly	2
15	Z274	Low Pressure Exhaust Valve Assembly	2
	Z614	VALVE SET WITH GASKETS	1
	Z615	VALVE GASKET SET	1

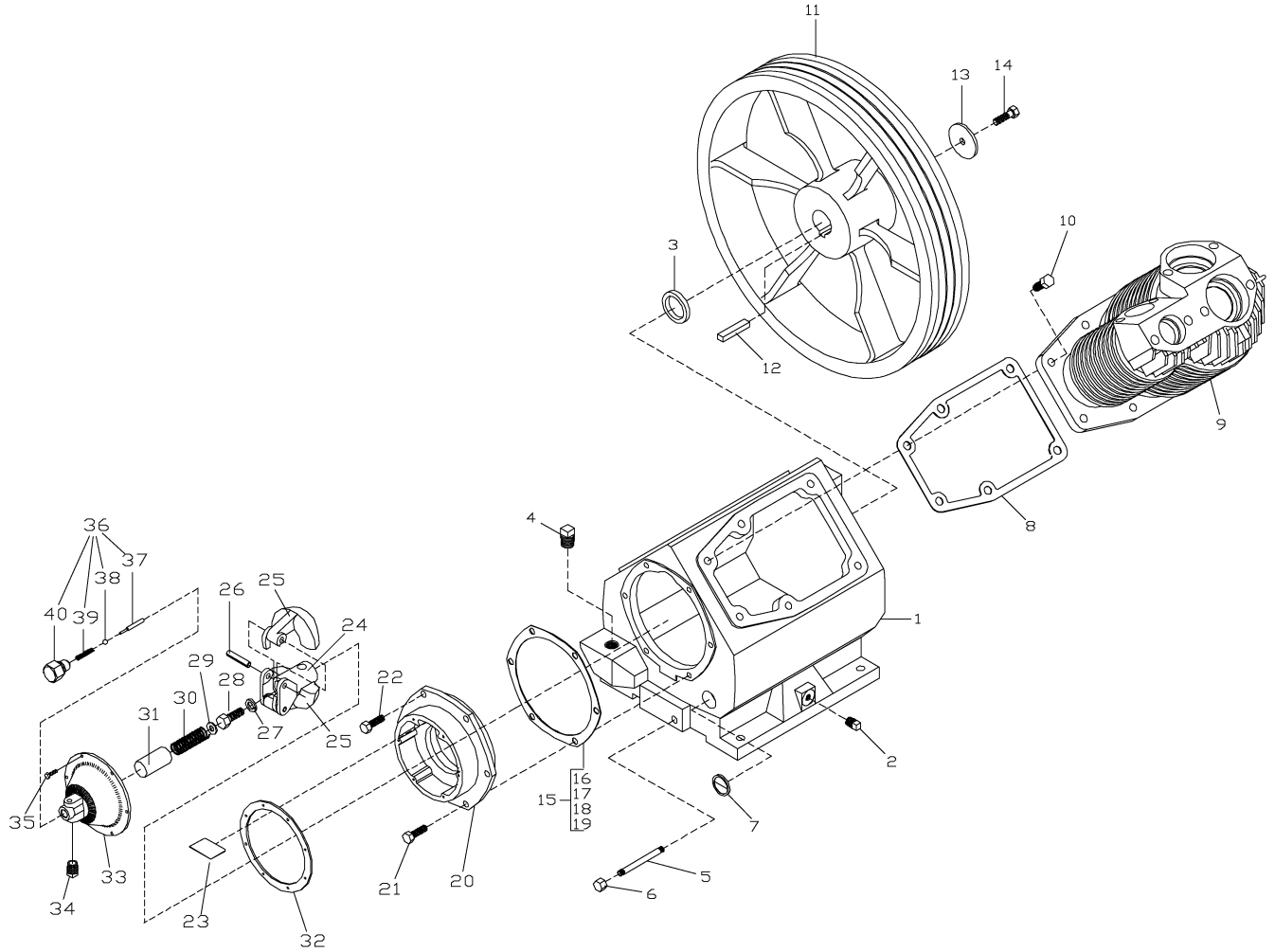
* Intake manifolds shown for start-stop units only.
For head-unloader manifolds see page 20.

R-70A TUBE ASSEMBLIES



ITEM NO.	PART NO.	DESCRIPTION	NO. REQ'D.
1	ZM1420	Breather Tube 3/8 x 20 in. long	1
2	M2864	Straight Compression Fitting 3/8 x 1/4 in.	2
3	ZM1421	Release Valve Tube	1
4	M2863	Straight Compression Fitting 1/4 x 1/8 in.	2
5	ZM1432	Intercooler Tube (Left Bank) With Fittings	1
6	ZM1433	Intercooler Tube (Right Bank) With Fittings	1
7	M1537	Intercooler Clamp	1
8	M1538	Intercooler Clamp	1
9	M1380	Cap Screw, Hex 1/4-20 x 1 in. long (Intercooler Clamp)	2
10	P03699A	Speednut 1/4-20	2
11	M1418	Compression Nut (Intercooler Tube)	4
12	P06064A	Compression Ferrule (Intercooler Tube)	4
13	ZM1532	Discharge Tube (Right)	1
14	ZM1533	Discharge Tube (Left)	1
15	M1516	Tee 1 x 1 x 1-1/4 in. (Discharge Tube)	1
16	M1418	Compression Nut (Discharge Tube)	4
17	P06064A	Compression Ferrule (Discharge Tube)	4
18	P09704A	Discharge Pressure Relief Valve	1

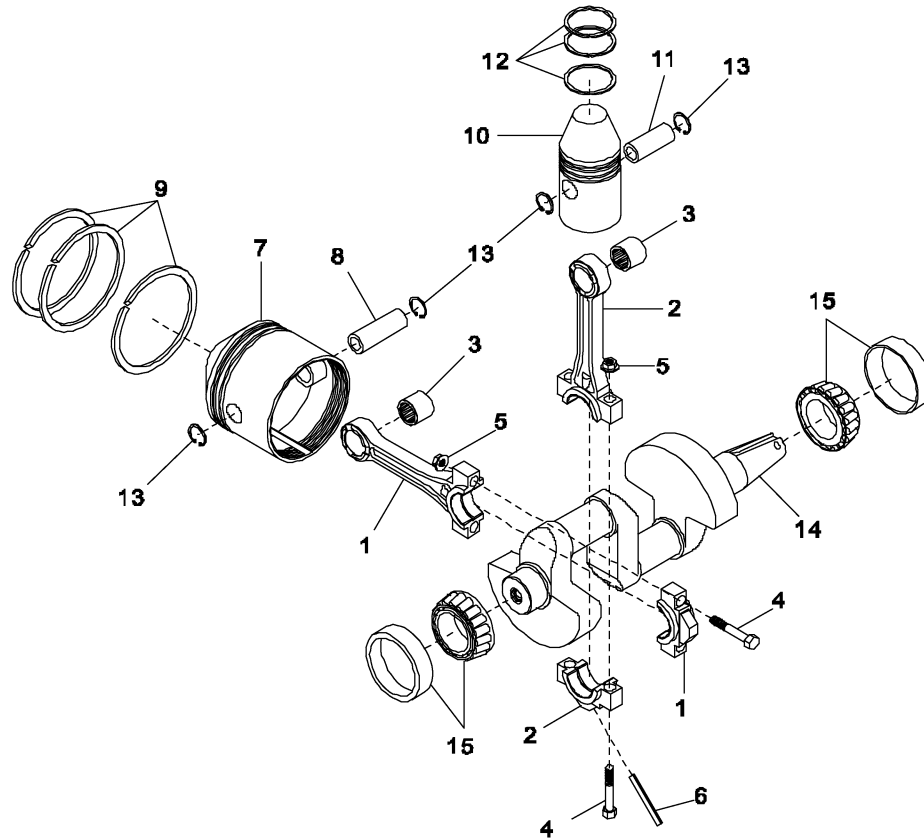
R70A CRANKCASE, GOV. UNL. HOUSING & FLYWHEEL



PARTS LIST FOR PAGE 20

ITEM NO.	PART NO.	DESCRIPTION	NO. REQ'D.
1	M1386	Crankcase	1
2	M504	Pipe Plug 1/4 in. (LOSC Hole)	1
3	P03433A	Oil Seal	1
4	M459	Pipe Plug 3/4 in. (Oil Fill)	1
5	M492	Pipe Nipple 3/8 in. (Oil Drain)	1
6	M461	Pipe Cap 3/8 in. (Oil Drain)	1
7	RE7-14	Oil Level Gauge	1
8	M1391	Cylinder Flange Gasket	2
9	P05863D	Cylinder Block	2
10	M2346	Cap Screw, Hex 2 -13x1 1/4 in. Long (Cylinder Block)	12
11	P05723C	Flywheel	1
12	M1506	Machinery Key 2 x 2 22 in. Long	1
13	M1394	Flywheel Retainer Washer	1
14	M2265	Cap Screw, Hex 7/16-20 (Flywheel)	1
15	Z775	GOVERNOR HOUSING GASKET (SHIM) SET	1
16	M1398	Gasket .031 in. Thick	1
17	M1399	Gasket .015 in. Thick	1
18	M1400	Gasket .010 in. Thick	1
19	M1401	Gasket .006 in. Thick	1
20	P12274C	Governor Housing	1
21	M2345	Cap Screw, Hex 7/16 -20x1 1/4 in. Long	4
22	SE594	Cap Screw, Hex 7/16-20 x 1 in Long	2
23	P12381A	Governor Baffle Plate	1
24	SE-5-83B	Governor Weight Spindle	2
25	SE-5-82	Governor Weight	2
26	SE-5-92A	Governor Weight Pin	1
27	M466	Lock Washer, Spring 7/16 in.	1
28	M2345	Cap Screw, Hex 7/16 -20x1 1/4 in. Long	1
29	M912A	Flat Steel Washer 5/16 in.	1
30	SE-5-90	Main Governor Spring	1
31	SE-5-87	Governor Spring Sleeve	1
32	SE1489	Governor Housing Cover Gasket	1
33	RE10100A	Governor Housing Cover	1
34	Z4593	Unloader Muffler Assembly	1
35	M3473	Machine Screw, Hex Hd. 10-32 x 5/8 in. Long	6
36	Z12414A	Release Valve Kit (Items 37, 38, 39, 40)	1
37	SE-5-86B	Release Valve Plunger	1
38	P07841A	Release Valve Ball	1
39	SE-5-91	Release Valve Spring	1
40	NR101	Release Valve Cap	1
	Z10889	Gasket Set, Complete Pump	1

R70A Crankshaft, Rods, Pistons & etc.



ITEM NO.	PART NO.	DESCRIPTION	NO. REQ'D.
1	Z621	CONNECTING ROD ASSEMBLY, LOW PRESSURE (Includes Items 3, 4 & 5)	2
2	Z622	CONNECTING ROD ASSEMBLY, HIGH PRESSURE (Includes Items 4, 5 & 6)	2
3	P03430A	Low Pressure Piston Pin Bearing	2
4	P03458A	Connecting Rod Bolt	8
5	P03459A	Connecting Rod Nut	8
6	P03440A	Oil Dipper (H.P. Only)	2
7	ZM-1906	Low Pressure Piston w/Pin	2
8	M1395	Low Pressure Piston Pin	2
9	Z9087	Low Pressure Piston Ring Set	2
10	ZM-1393	High Pressure Piston w/Pin	2
11	M1383	High Pressure Piston Pin	2
12	Z9088	High Pressure Piston Ring Set	2
13	P03434A	Piston Pin Retaining Ring	8
14	M1387	Crankshaft	1
15	P03431A	Main Bearing	2
-	Z9123	RING SET, COMPLETE PUMP	1
-	Z9108	LP PISTON ASSEMBLY (Items 7, 8, 9 & 13)	2
-	Z9107	HP PISTON ASSEMBLY (Items 10, 11, 12 & 13)	2