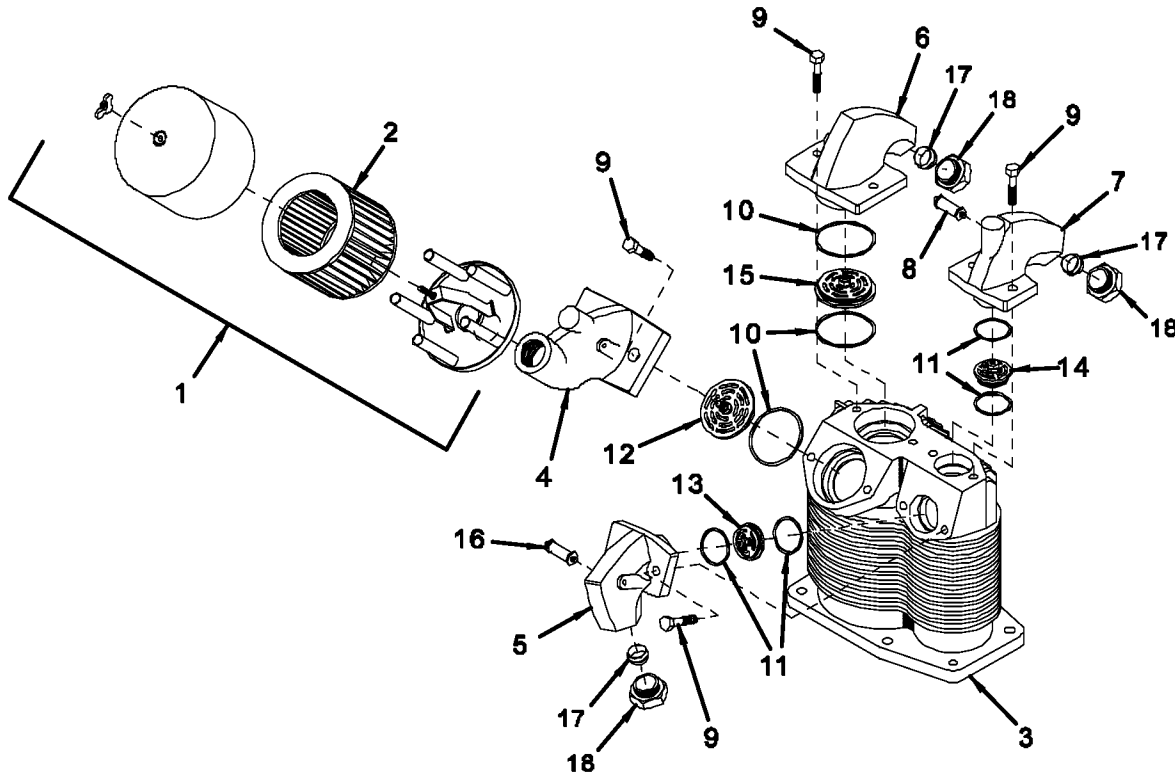


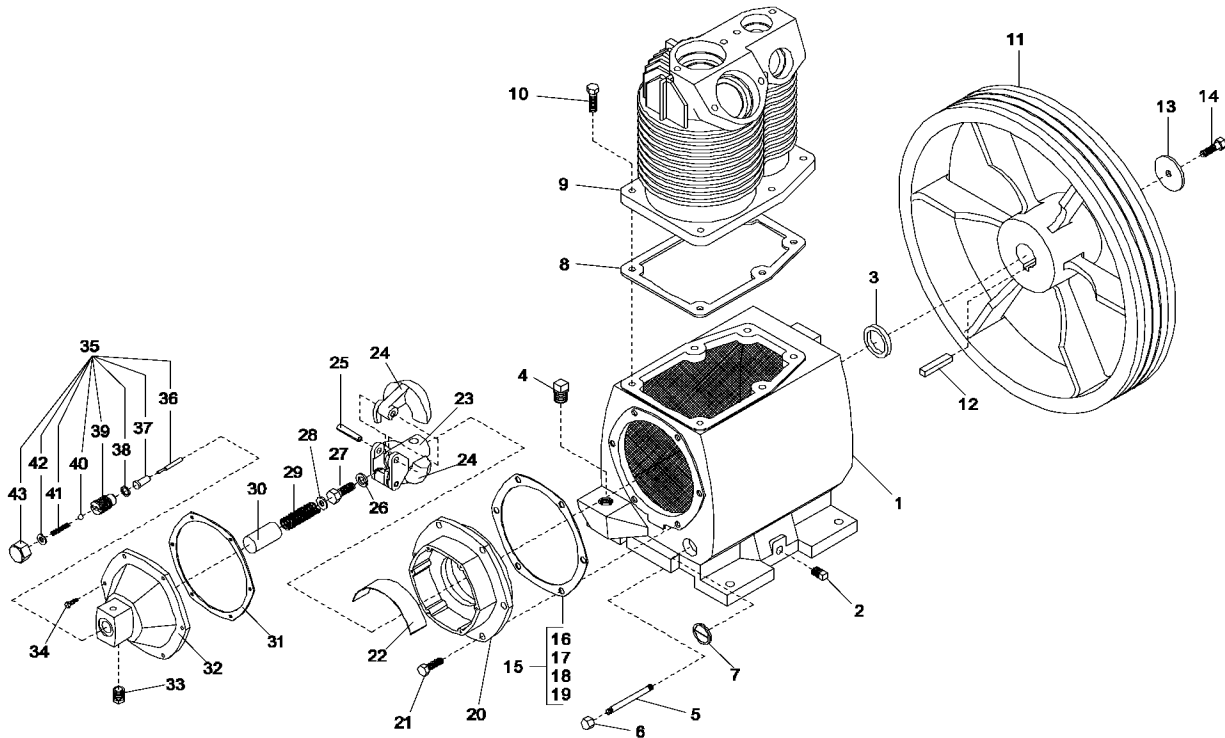
R-40A MANIFOLDS, VALVES AND FILTER ASSEMBLIES



ITEM	PART NO.	DESCRIPTION	REQ.
1	P07447A	Filter	1
2	P05051A	Element, Filter	1
3	P05863D	Cylinder	1
* 4	P09711D	Low Pressure Intake Manifold	1
5	M1508	High Pressure Exhaust Manifold	1
6	M1423	Low Pressure Exhaust Manifold	1
* 7	M1431	High Pressure Intake Manifold	1
8	P03592A	Interstage Pressure Relief Valve (75 PSIG)	1
9	P04779A	Cap Screw, Hex 7/16-14 x 2 in. long	8
10	P07352A	Low Pressure Valve Gasket	3
11	P07353A	High Pressure Valve Gasket	4
12	Z273	LOW PRESSURE INTAKE VALVE ASS'Y. W/GASKETS	1
13	Z785	HIGH PRESSURE EXHAUST VALVE ASS'Y. W/GASKETS	1
14	Z784	HIGH PRESSURE INTAKE VALVE ASS'Y. W/GASKETS	1
15	Z274	LOW PRESSURE EXHAUST VALVE ASS'Y. W/GASKETS	1
16	P09704A	Pressure Relief Valve	1
17	P06064A	Compression Ferrule	3
18	M1418	Compression Nut	3
	Z656	VALVE SET W/GASKETS (10,11,12,13,14 & 15)	1
	Z657	VALVE GASKET SET (10 & 11)	1

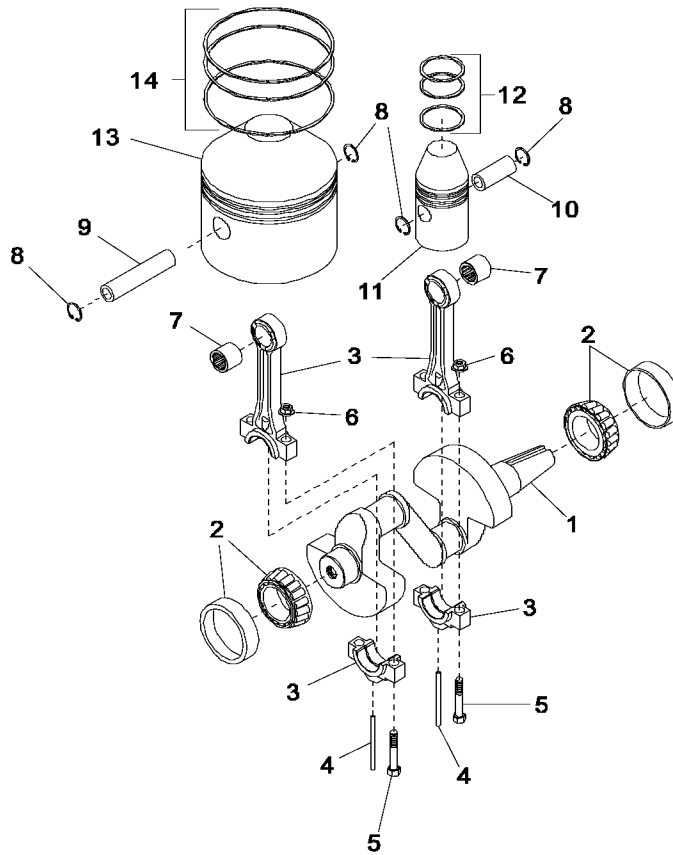
* Intake Manifolds shown for Start-Stop units only.
See page 20 for Head-Unloader Manifolds.

R-40A CRANKCASE, CYLINDER, FLYWHEEL AND UNLOADER ASSEMBLY



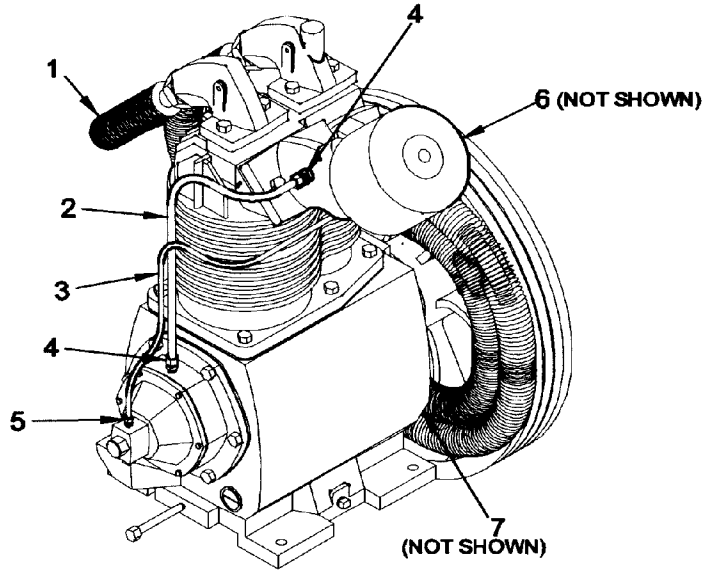
ITEM	PART NO.	DESCRIPTION	REQ.	ITEM	PART NO.	DESCRIPTION	REQ.
1	M1453	Crankcase	1	23	SE583B	Governor Weight Spindle	1
2	M2326	Pipe Plug, ¼ Npt (Loss Hole)	1	24	SE582	Governor Weight	2
3	P03433A	Oil Seal	1	25	SE592A	Governor Weight Pin	2
4	M459	Oil Fill Plug	1	26	M466	Lockwasher Spring	1
5	M492	Oil Drain Nipple	1	27	M2345	Cap Screw, Hex	1
6	M461	Oil Drain Cap	1	28	M912A	Flat Washer	1
7	RE714	Oil Level Gauge	1	29	SE590	Main Governor Spring	1
8	M1391	Gasket, Cylinder Flange	1	30	SE587	Governor Spring Sleeve	1
9	P05863D	Cylinder	1	31	M1414	Governor Cover Gasket	1
10	M2346	Cap Screw, Hex	6	32	M1415	Governor Housing Cover	1
11	P05723C	Flywheel	1	33	Z4593	Unloader Muffler Assembly	1
12	M1506	Key, Flywheel	1	34	M2400	Cap Screw, Machine	6
13	M1394	Washer, Flywheel	1	35	Z124B	Release Valve Kit (36 - 43)	1
14	M2265	Cap Screw, Hex		36	SE586B	Release Valve Plunger	1
15	Z775	Governor Housing, Gasket Set (16-19)	1	37	SE597	Plunger Sleeve	1
16	M1398	Gasket, .031" Thick	1	38	H122	Release Valve Body Gasket	1
17	M1399	Gasket, .015" Thick	1	39	SE30131	Release Valve Body	1
18	M1400	Gasket, .010" Thick	1	40	P07841A	Release Valve Ball	1
19	M1401	Gasket, .005" Thick	1	41	SE591	Release Valve Spring	1
20	M1388	Governor Housing	1	42	M1507	Release Valve Cap Gasket	1
21	M2344	Cap Screw, Hex	6	43	SE585	Release Valve Cap	1
22	NR104	Governor Baffle Plate	1		Z655	Gasket Set, Complete Pump	1

R-40A CRANKSHAFT, RODS & PISTONS



ITEM	PART NO.	DESCRIPTION	REQ.
1	M1458	Crankshaft	1
2	Z-6506	Main Bearing	2
3	Z658	Connecting Rod Assembly (4,5,6 & 7)	2
4	P03440A	Oil Dipper	2
5	P03458A	Connecting Rod Bolt	4
6	P03459A	Connecting Rod Nut	4
7	P03430A	Piston Pin Bearing	2
8	P03434A	Piston Pin Retaining Ring	4
9	M1395	Low Pressure Piston Pin	1
10	M1383	High Pressure Piston Pin	1
11	ZM1393	High Pressure Piston w/Pin	1
12	Z9088	HIGH PRESSURE PISTON RING SET	1
13	ZM1906	Low Pressure Piston w/Pin	1
14	Z9087	LOW PRESSURE PISTON RING SET	1
	Z9109	COMPLETE RING SET (12 & 14)	1
	Z9107	HIGH PRESSURE PISTON ASS'Y. (8,10,11 & 12)	1
	Z9108	LOW PRESSURE PISTON ASS'Y. (8,9,13 & 14)	1

R-40A INTERCOOLER AND TUBING



ITEM	PART NO.	DESCRIPTION	REQ.
1	ZM1465	Intercooler Tube with Fittings	1
2	ZM1622	Breather Tube	1
3	ZM1623	Release Valve Tube	1
4	M2864	Compression Fitting - Straight	2
5	M2863	Compression Fitting - Straight	1
6	M2881	Compression Fitting - 90° Elbow	1
7	P12594A	Intercooler Clamp	1