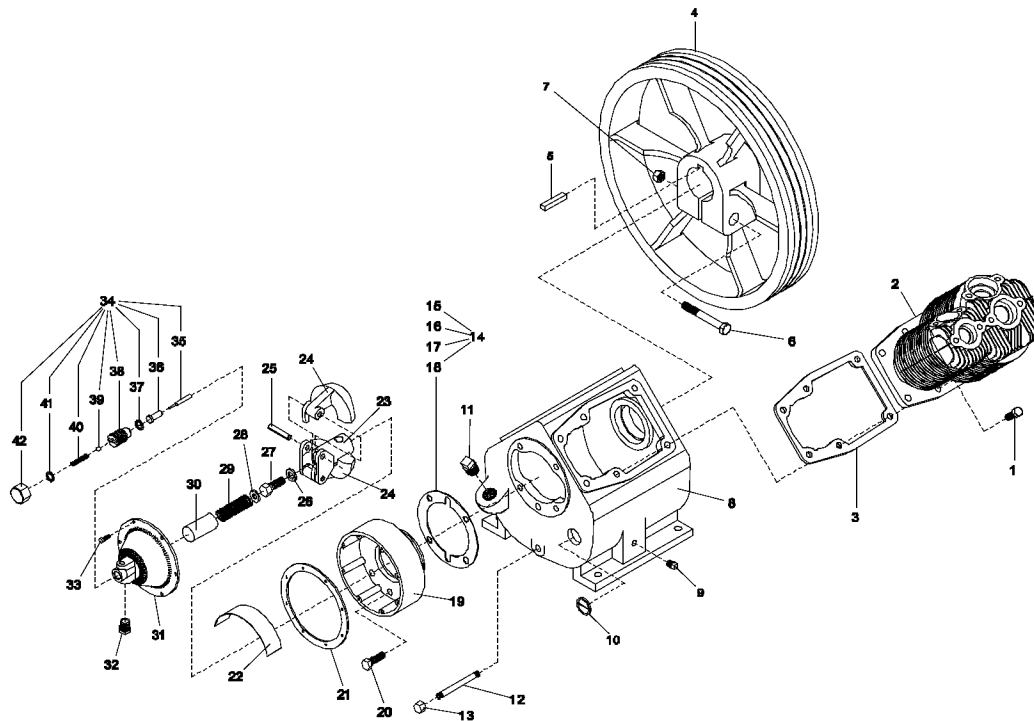
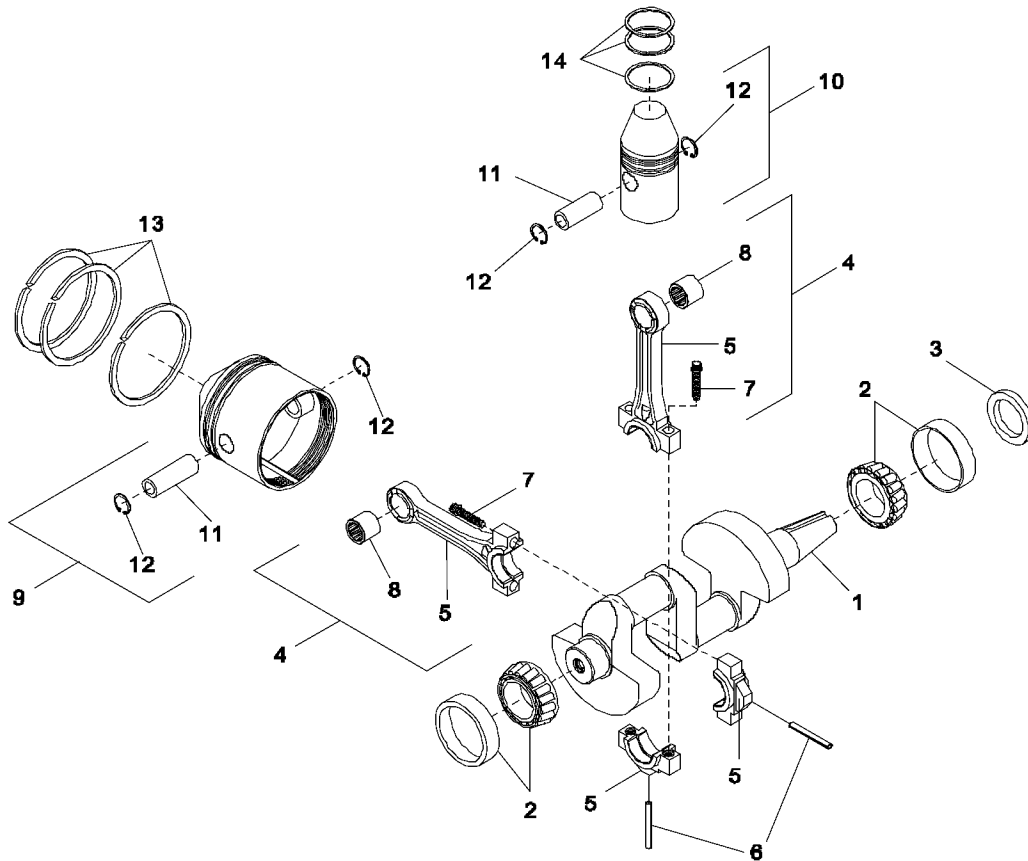


R-30D CRANKCASE, FLYWHEEL, CYLINDERS & CENTRIFUGAL UNLOADER ASSEMBLY



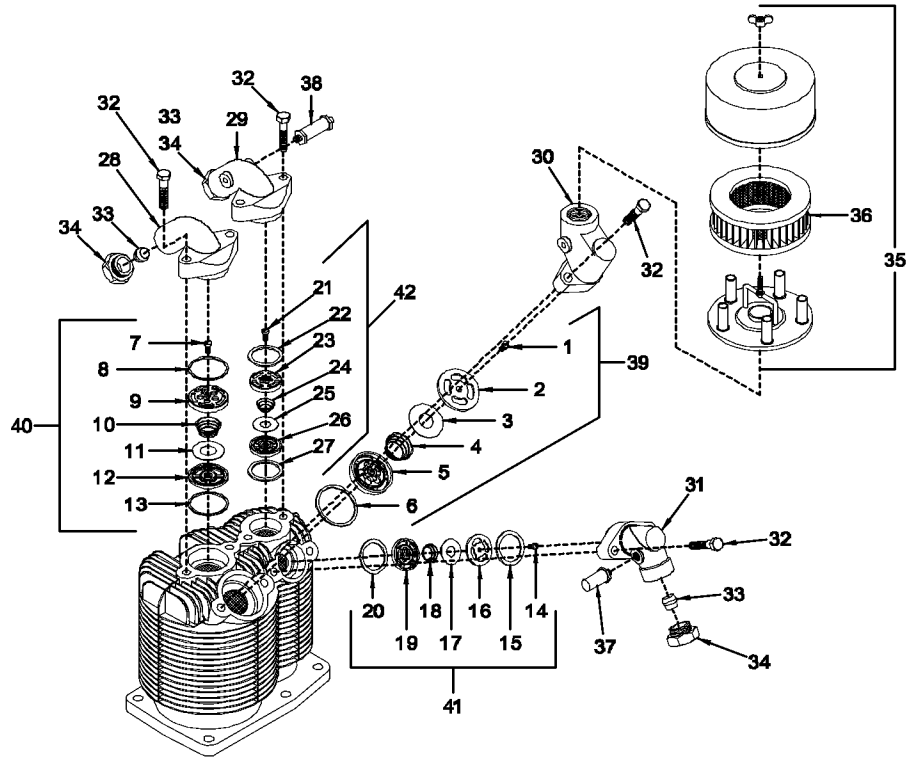
ITEM	PART NO.	NAME	REQ.	ITEM	PART NO.	NAME	REQ.
1	M2345	Screw, Hex Head Cap	12	20	RE20106	Screw, Hex Head Cap	4
2	P12237D	Cylinder	2	21	SE3089	Gasket, Gov. Housing Cover	1
3	NR-29-A	Gasket, Cylinder Flange	2	22	NR36104	Plate, Gov. Baffle	1
4	NR367B	Flywheel	1	23	SE583B	Spindle, Gov. Weight	1
5	RE208	Key	1	24	SE582	Governor Weight	2
6	M738	Screw, Hex Head Cap	1	25	SE592A	Pin Gov. Weight.	2
7	M465	Nut, Hex	1	26	M466	Washer, Spring Lock	1
8	M1898	Crankcase	1	27	RE1494	Screw, Hex Head	1
9	M2326	Pipe Plug	1	28	M912A	Washer, Flat	1
10	RE714	Gauge, Oil Sight	1	29	SE590	Spring, Gov. Main	1
11	M459	Pipe Plug (Oil fill)	1	30	SE587	Sleeve, Spring	1
12	M492	Pipe, Oil Drain	1	31	SE30100	Cover, Gov. Housing	1
13	M461	Cap, Oil Drain	1	32	Z4593	Muffler Assy. Unloader	1
14	Z3030	Gasket Set, Gov. Housing	1	33	M2400	Screw, Hex Head Machine	8
15	SE3030	Gasket, Gov. Housing (.030" Thick)	1	34	Z124B	RELEASE VALVE ASSY. KIT	1
16	SE3030A	Gasket, Gov. Housing (.005" Thick)	1	35	SE586B	Plunger, Release Valve	1
17	SE3030B	Gasket, Gov. Housing (.010" Thick)	1	36	SE597	Sleeve, Plunger	1
18	SE3030C	Gasket, Gov. Housing (.015" Thick)	1	37	H122	Gasket, Release Valve Body	1
19	P10095C	Gov. Housing	1	38	SE30101	Body, Release Valve	1
				39	P07841A	Ball, Release Valve	1
				40	SE591	Spring, Release Valve	1
				41	M1507	Gasket, Release Valve	1
				42	SE585	Cap, Release Valve	1
					Z765	COMPLETE PUMP GASKET SET	1

R-30D CRANKSHAFT, RODS, PISTONS, ETC.



ITEM	PART NO.	NAME	REQ.	ITEM	PART NO.	NAME	REQ.
1	P10094B	Crankshaft	1	10	ZP02709C	H.P. Piston w/Pin	2
2	ZNR2016	ASSY. MAIN BEARING	2	11	R1021	Piston Pin	4
3	OSN36A	Oil Seal	1	12	R10102	Piston Pin Retaining Ring	8
4	Z752	CONNECTING ROD ASSY. (ITEMS 5, 6, 7 & 8)	4	13	Z798	L.P. PISTON RING SET	2
5	M1584	Connecting Rod (NSS)	4	14	Z797	H.P. PISTON RING SET	2
6	R1024	Oil Dipper	4		Z9100	H.P. PISTON ASSY. KIT (Includes items 10, 11, 12 & 14)	1
7	M1583	Connecting Rod Bolt	8		Z9101	L.P. PISTON ASSY. KIT (Includes items 9, 11, 12 & 13)	1
8	R1037	Piston Pin Bearing	4		Z9085	COMPLETE PUMP RING SET (Includes items 13 & 14)	1
9	ZR154	L.P. Piston w/Pin	2				

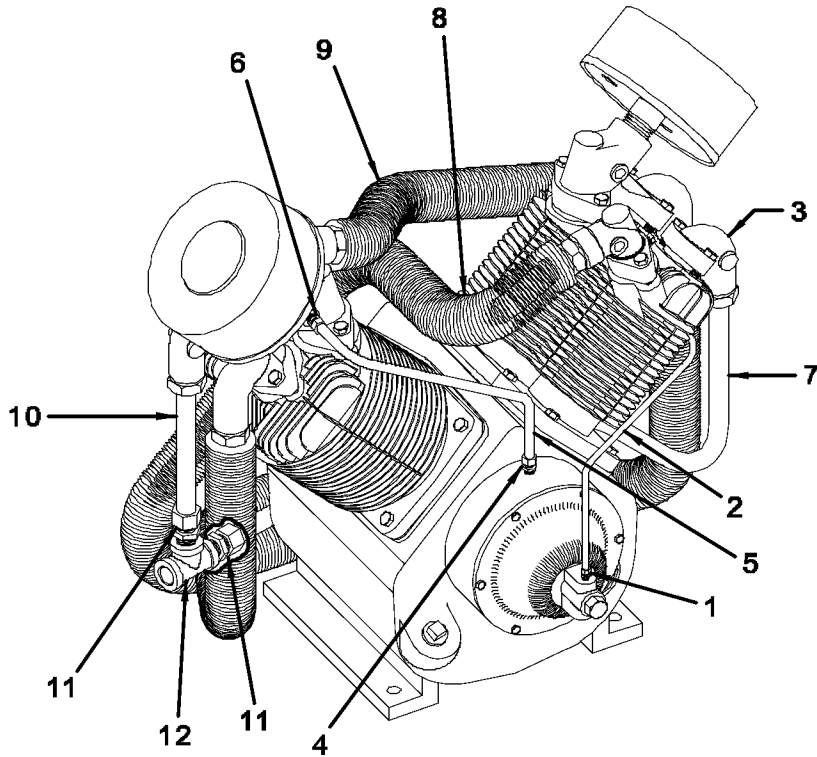
R-30D VALVE, MANIFOLD AND FILTER ASSEMBLY



ITEM	PART NO.	NAME	REQ.	ITEM	PART NO.	NAME	REQ.
1	P04544A	Screw, Hex Head Machine	2	23	M2100	Cage, Exhaust Valve	2
2	RE1471	Seat, Intake Valve	2	24	RE760	Spring, Valve	2
3	RE1470	Disc, Valve	2	25	RE1062	Disc, Valve	2
4	RE1458	Spring, Valve	2	26	RE757A	Seat, Exhaust Valve	2
5	M2098	Cage, Intake Valve	2	27	P04136A	Gasket, Valve	2
6	P04134A	Gasket, Valve	2	28	RE102E	Manifold, L.P. Exhaust	2
7	M3220	Screw, hex Head Machine	2	29	P12303B	Manifold, H.P. Exhaust	2
8	P04135A	Gasket, Valve	2	30	P09669C	Manifold, L.P. Intake	2
9	M2099	Cage, Exhaust Valve	2	31	P12302B	Manifold, H.P. Intake	2
10	RE1059	Spring, Exhaust Valve	2	32	P05005A	Screw, Hex Head Cap (All Manifolds)	16
11	RE1061	Disc, Valve	2	33	SE542	Ferrule	6
12	M2097	Seat, Exhaust Valve	2	34	SE541	Nut, Compression	6
13	P04135A	Gasket, Valve	2	35	P04999A	Intake Filter	2
14	M3220	Screw, Hex Head Machine	2	36	P05050A	Filter Element	2
15	P09171A	Gasket, Valve	2	37	P03592A	Interstage Pressure Relief Valve	2
16	P09172B	Seat, Intake Valve	2	38	P09704A	Pressure Relief Valve	1
17	RE1062	Disc, Valve	2	39	Z812	VALVE ASSY. L.P. INTAKE	2
18	RE760	Spring, Valve	2	40	Z813	VALVE ASSY. L.P. EXHAUST	2
19	M2101	Cage, Intake Valve	2	41	Z5117	VALVE ASSY. H.P. INTAKE	2
20	P09170A	Gasket, Valve	2	42	Z115	VALVE ASSY. H.P. EXHAUST	2
21	M3220	Screw, Hex Head Machine	2		Z5157	COMPLETE VALVE SET W/GASKETS	*
22	P04137A	Gasket, Valve	2		Z5158	COMPLETE VALVE GASKET SET	

NOTE: High Pressure Valves (Items 41 & 42) are reversed from earlier models R30A & R30B.
 For Head Unloader or Dual Control Models see page 20 for Valve Assemblies.
 * Use Z6796 - Complete Valve Set w/Gaskets for HU pumps

R-30D TUBING



ITEM	PART NO.	NAME	REQ.
1	M2863	Tube Fitting	1
2	ZP08133B	Release Valve Tube w/Fittings (Items 1 & 3)	1
3	M2881	Tube Fitting	1
4	M2864	Tube Fitting	1
5	ZUB375B	Breather Tube w/Fitting (Items 4 & 6)	1
6	M2864	Tube Fitting	1
7	ZP08132B	Tube, Discharge	1
8	Z9141	Intercooler Tube w/Fittings	1
9	Z9142	Intercooler Tube w/Fittings	1
10	ZM2474-8	Tube, Discharge	1
11	M2867	Tube Fitting	2
12	M480	Pipe Tee	1