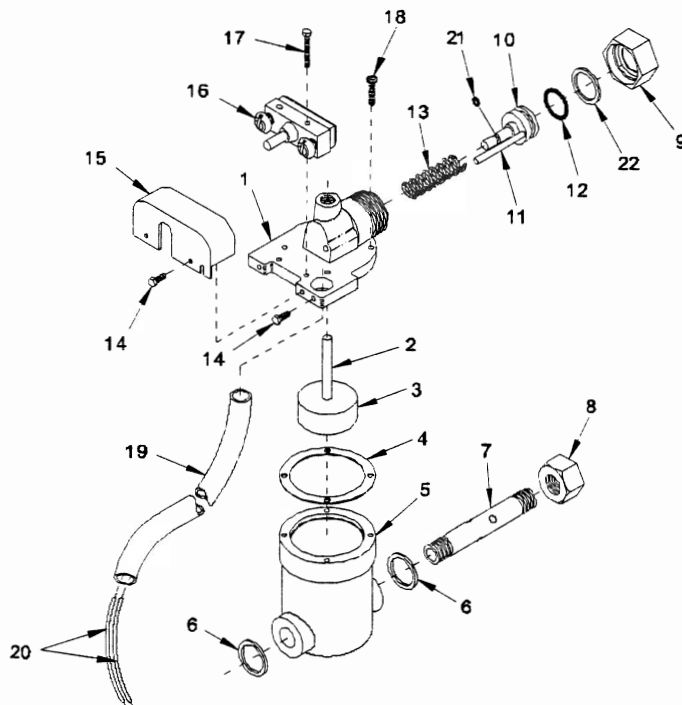




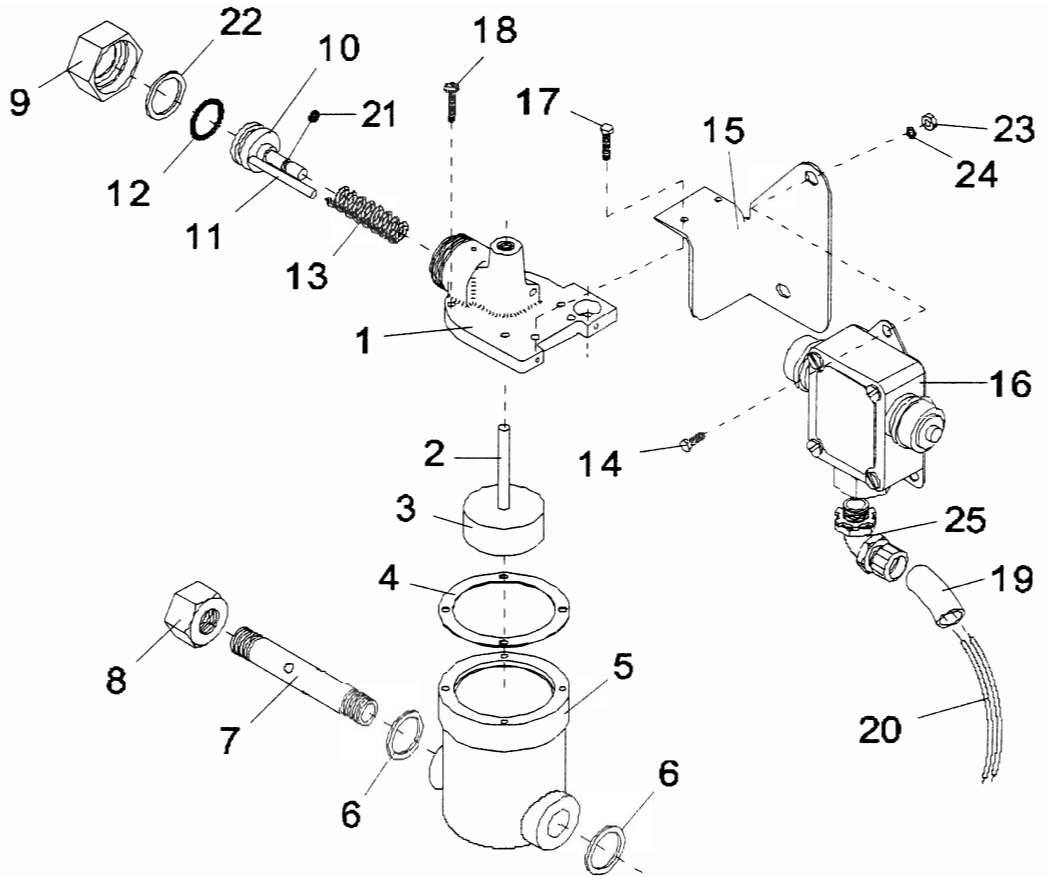
**OIL  
MONITOR  
NEMA 1 & 4**

**AIR COMPRESSORS  
SERVICE DATA**



**Z-685 LO-SC BASIC CONTROL NEMA 1  
REPLACEMENT PARTS LIST**

<u>ITEM</u>	<u>PART NO.</u>	<u>QUAN.</u>	<u>DESCRIPTION</u>	<u>ITEM</u>	<u>PART NO.</u>	<u>QUAN.</u>	<u>DESCRIPTION</u>
1.	LO-1B	1	BODY, VALVE	13.	P05227A	1	SPRING
2 & 3.	LO-4-5	1	FLOAT WITH STEM	14.	M2949	3	SCREW, SELF TAPPING #6X3/8"
4.	LO-9A	1	GASKET, BOWL	15.	LO-16B	1	COVER, SWITCH
5.	LO-2A	1	BOWL, FLOAT	16.	LO-15A	1	SWITCH, MICRO
6.	P02843A	2	GASKET, BOWL (OIL TUBE)	17.	M2950	2	SCREW, SELF TAPPING #6X1"
7.	M-813	1	TUBE, OIL	18.	M2951	4	SCREW, SELF TAPPING, PAN HD, #6 X 3/4"
8.	LO-30	1	CAP, RETAINER	19.		1	FLEXIBLE CONDUIT 3/8"X24" (NOT SUPPLIED)
9.	LO-3A	1	PLUG, INTAKE	20.	M2438	2	WIRE #18TFNX48"
10.	P10097A	1	PISTON AND ROD	21.	LO-12	1	O-RING
11.	P10098A	1	ROD, SWITCH	22.	M-1507	1	GASKET
12.	M-1598	1	O-RING				



## Z2351 LOSC BASIC CONTROL NEMA 4 REPLACEMENT PARTS LIST

<u>ITEM</u>	<u>PART NO.</u>	<u>QUAN.</u>	<u>DESCRIPTION</u>	<u>ITEM</u>	<u>PART NO.</u>	<u>QUAN.</u>	<u>DESCRIPTION</u>
1.	LO-1B	1	BODY, VALVE	14.	M3471	2	SCREW, HEX HEAD 1/4-20X1"
2 & 3.	LO-4-5	1	FLOAT WITH STEM	15.	P07719B	1	BRKT, LOSC NEMA 4
4.	LO-9A	1	GASKET, BOWL	16.	P07720A	1	SWITCH, MICRO
5.	LO-2A	1	BOWL, FLOAT	17.	M2621	2	SCREW, SELF TAPPING #6-32X3/8"
6.	P02843A	2	GASKET, BOWL (OIL TUBE)	18.	M2951	4	SCREW, SELF TAPPING, PAN HD, #6 X 3/4"
7.	M-813	1	TUBE, OIL	19.	M2606	1	FLEXIBLE CONDUIT 3/8"X24"
8.	LO-30	1	CAP, RETAINER	20.	M2438	2	WIRE #18TFNX48"
9.	LO-3A	1	PLUG, INTAKE	21.	LO-12	1	O-RING
10.	P10097A	1	PISTON AND ROD	22.	M-1507	1	GASKET
11.	P10096A	1	ROD, SWITCH	23.	M939A	2	NUT, 1/4-20
12.	M-1598	1	O-RING	24.	M919A	2	LOCKWASHER, 1/4"
13.	P05227A	1	SPRING	25.	M2607	1	3/8" CONDUIT ELBOW